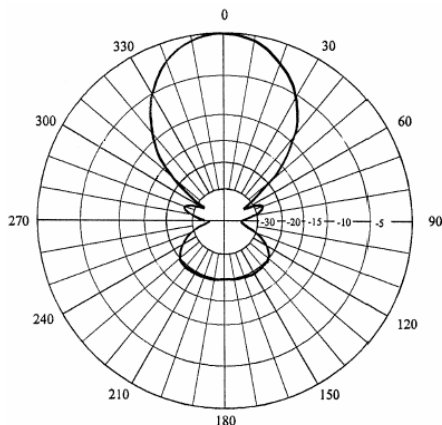
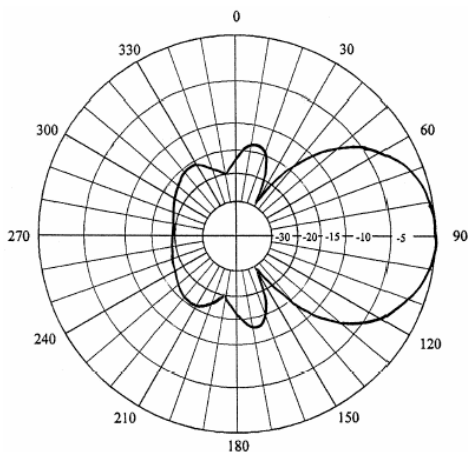


Product Overview

The HI483-413 antenna is a durable, spread spectrum antenna suitable for long-range, narrow beam RFID applications. It has linear polarization and covers North American (FCC) 902–928 MHz frequency bands. In addition, the HI483-413 has a rugged square boom construction with solid rod elements for excellent durability.



HI483-413 E-Plane Pattern



HI483-413 H-Plane Pattern

Electrical Specifications

Parameter	Value
Frequency	902–928 MHz
Polarization	Linear
Gain	9 dBd
VSWR	1.2:1
Feed Power	50W maximum

Mechanical Specifications

Parameter	Value
Boom length	2.0 ft (.58 m)
Mast diameter	1.25–2.00 in (3.2–5.1 cm)
Weight	1.2 lb (.54 kg)
Material	6061-T6 Aluminum

SAMSys Technologies, Inc.
2525 Meridian Parkway
Lake Level Suite 60
Durham, NC 27713
877-367-4342 (toll free)
919-281-1541
www.samsys.com

